

## *The Squirrel Adirondack Chair Feeder*



<https://www.youtube.com/c/MatthewPeechWoodworkingAndDIY>

**Perspective**



<https://www.youtube.com/c/MatthewPeechWoodworkingAndDIY>

:: Graphic Designer: John Roa :: roa.john@yahoo.com ::

Perspective

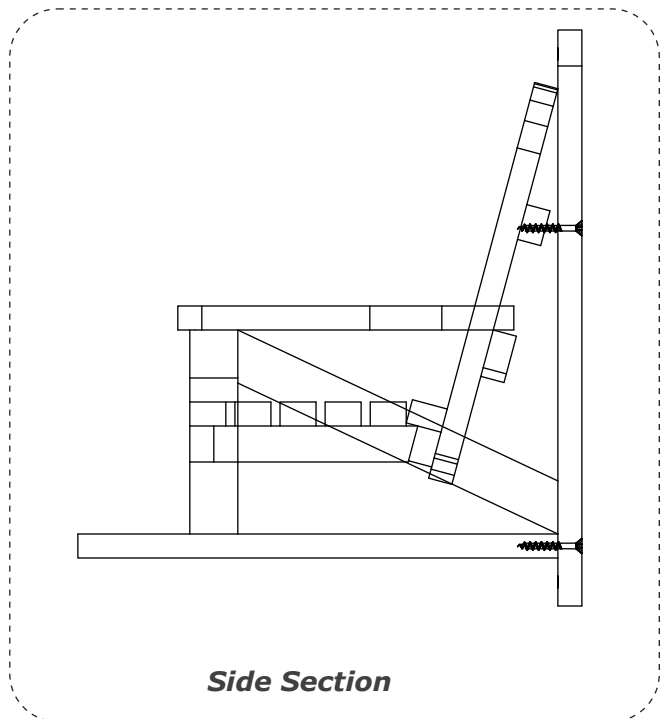


<https://www.youtube.com/c/MatthewPeechWoodworkingAndDIY>



SCAN THIS CODE  
TO GO TO THE  
YOUTUBE CHANEL

# X-Ray

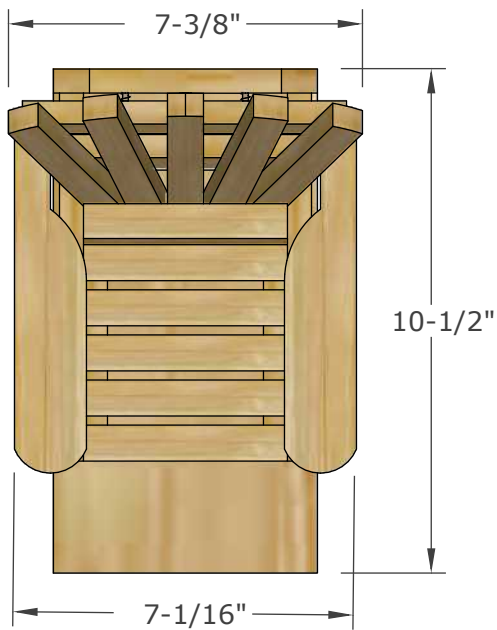
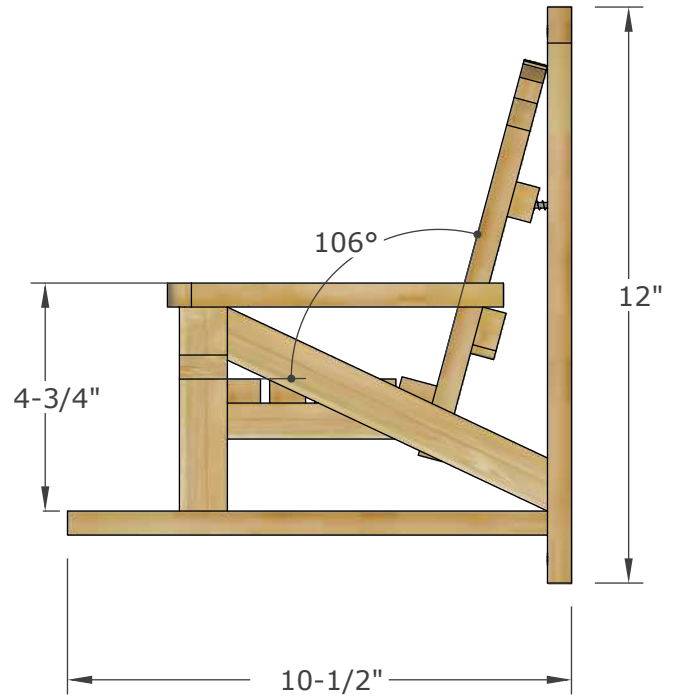
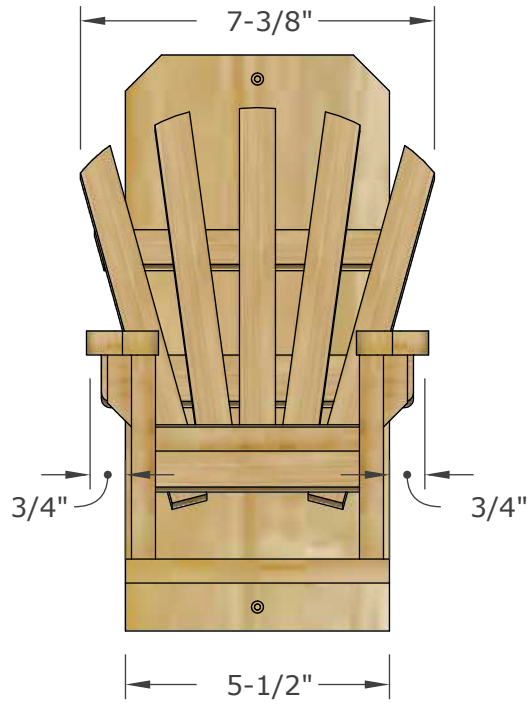


**Side Section**



<https://www.youtube.com/c/MatthewPeechWoodworkingAndDIY>

## Overall Dimensions

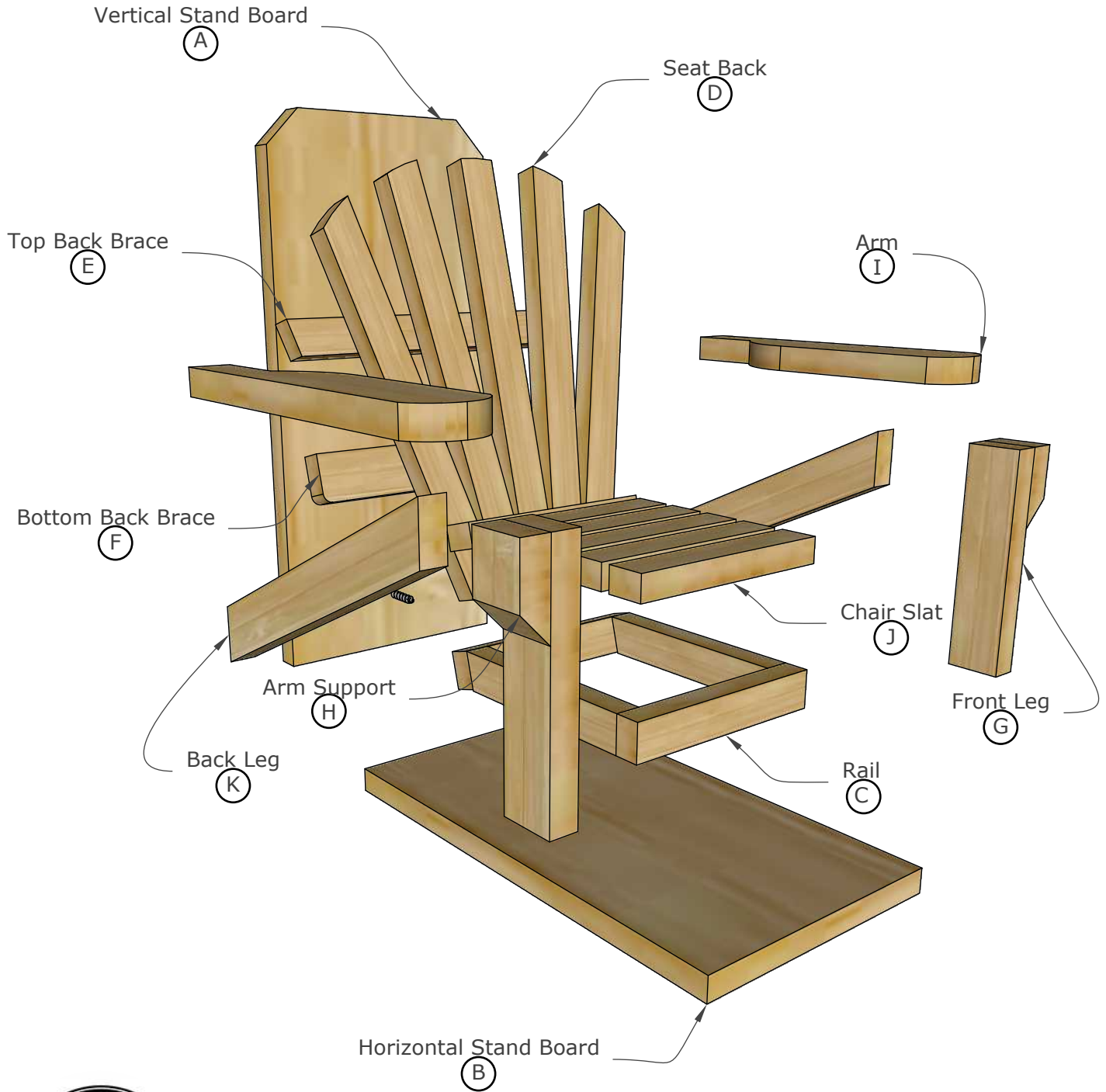


## Front-Side & Top Views

$3'' = 1'-0'' (1:4)$

<https://www.youtube.com/c/MatthewPeechWoodworkingAndDIY>

# Exploded View



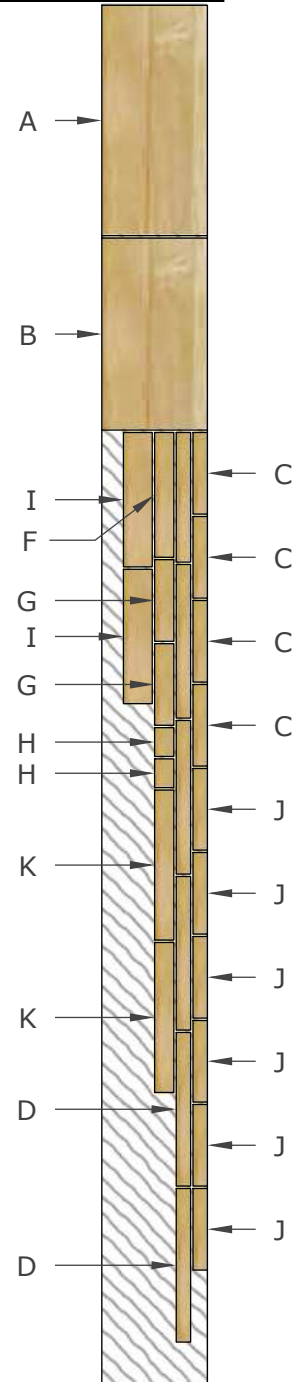
<https://www.youtube.com/c/MatthewPeechWoodworkingAndDIY>

## Cutting List

Part	Designation	Quantity	Length	Width	Thickness
A	Horizontal Stand Board	1	12"	5 1/2"	1/2"
B	Vertical Stand Board	1	10"	5 1/2"	1/2"
C	Rail	4	4 1/4"	3/4"	1/2"
D	Seat Back	5	8"	3/4"	1/2"
E	Top Back Brace	1	6 3/4"	3/4"	1/2"
F	Bottom Back Brace	1	6 1/2"	1"	1/2"
G	Front Leg	2	4 1/4"	1"	1/2"
H	Arm Support	2	1 1/2"	1"	1/2"
I	Arm	2	7"	1 1/2"	1/2"
J	Chair Slat	6	4 1/4"	3/4"	1/2"
K	Back Leg	2	7 13/16"	1"	1/2"

## Cutting Layout

Material used  
(1) 1/2"x 5 1/2" x 72"



<https://www.youtube.com/c/MatthewPeechWoodworkingAndDIY>

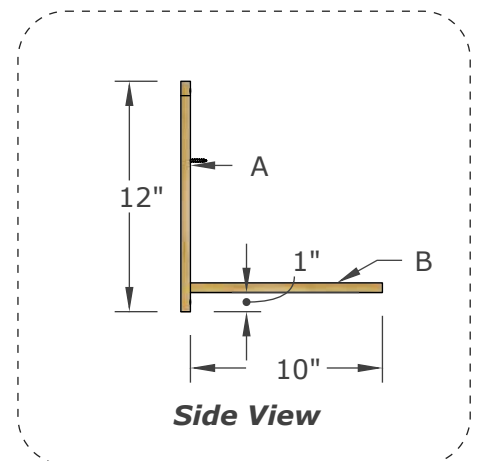
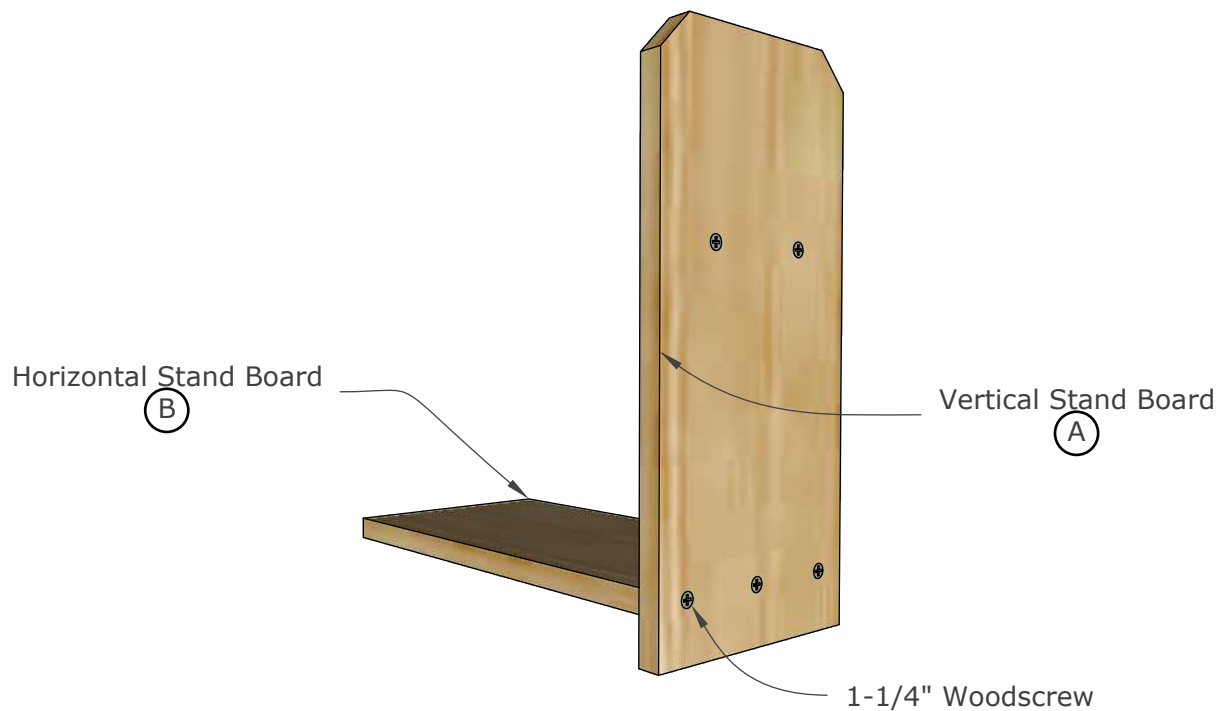
:: Graphic Designer: John Roa :: roa.john@yahoo.com ::

# 1 Assemble The Stand:

First cut 12" from the end of the picket with the "dog ears". Then cut another 10" board from the picket before ripping smaller parts.

Connect 10" stand board to the 12".

Use exterior wood glue and brad nails to hold in place while installing 1 1/4" screws from the back.

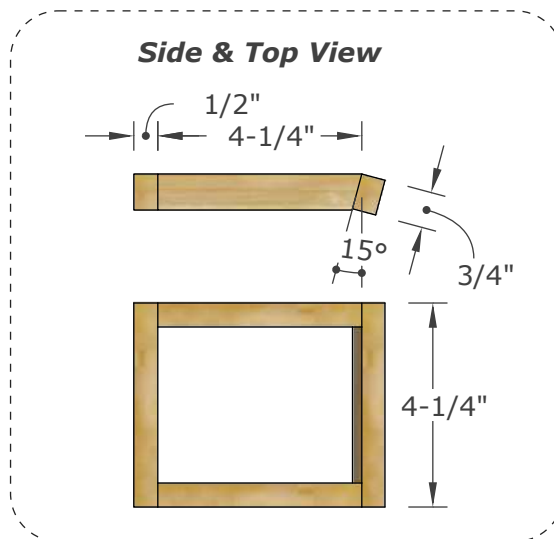
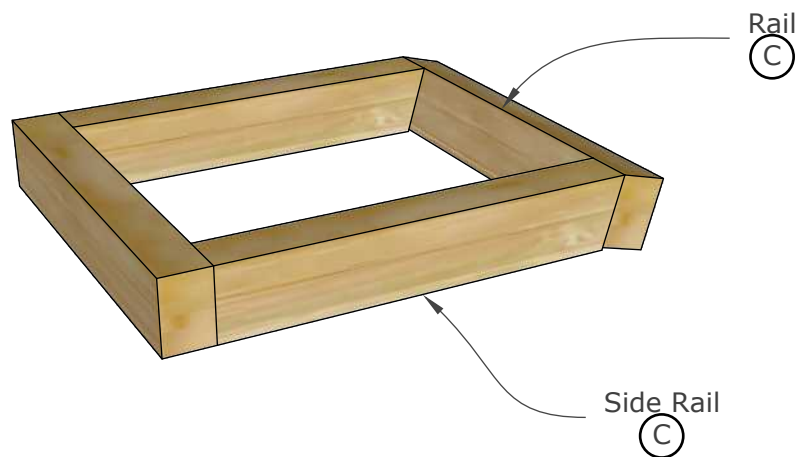


<https://www.youtube.com/c/MatthewPeechWoodworkingAndDIY>

2

## Assemble Seat Base:

Side rails are cut on 15 on one end. Use 1" brad nails and exterior wood glue for all parts.



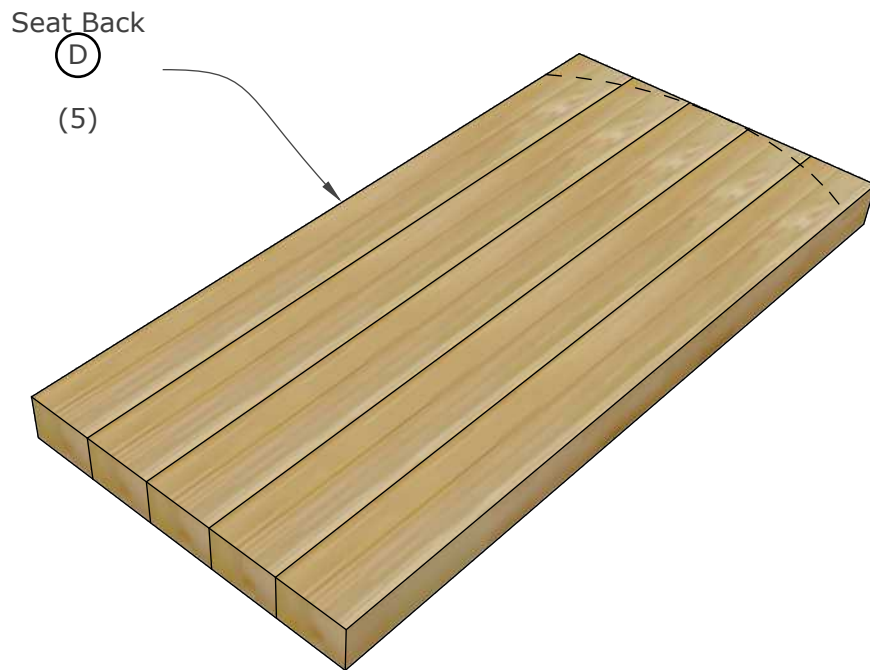
<https://www.youtube.com/c/MatthewPeechWoodworkingAndDIY>

### 3 Cut Seat Back Parts:

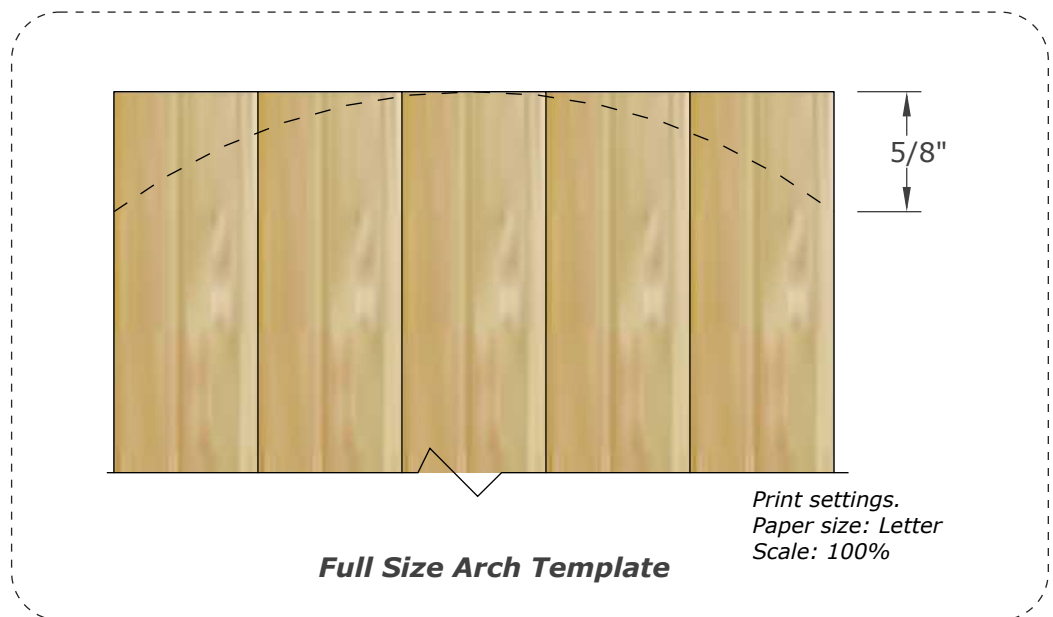
*Square the ends of the parts and clamp together. Measure 5/8" down on the outside edges and draw an arch from that point to the center point.*

*(See template) Make sure printer settings are set to letter size and "Fill Entire Page" in order for the template to print to size.*

*Once the arch is outlined, cut with a Jigsaw.*



Seat Back  
(D)  
(5)



Full Size Arch Template

Print settings.  
Paper size: Letter  
Scale: 100%



<https://www.youtube.com/c/MatthewPeechWoodworkingAndDIY>

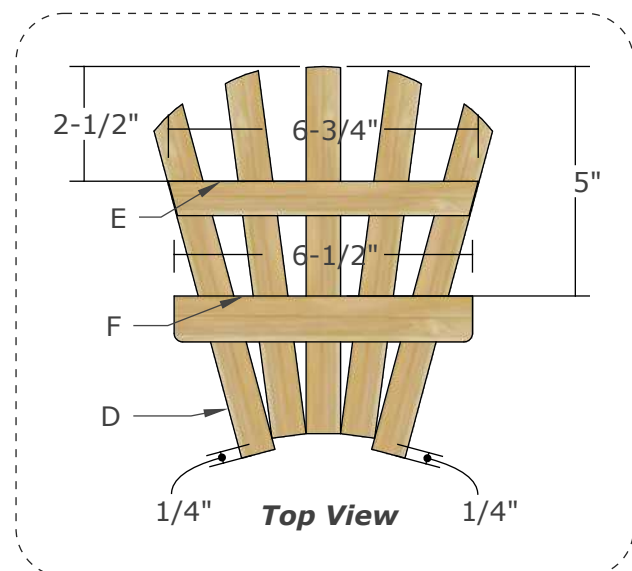
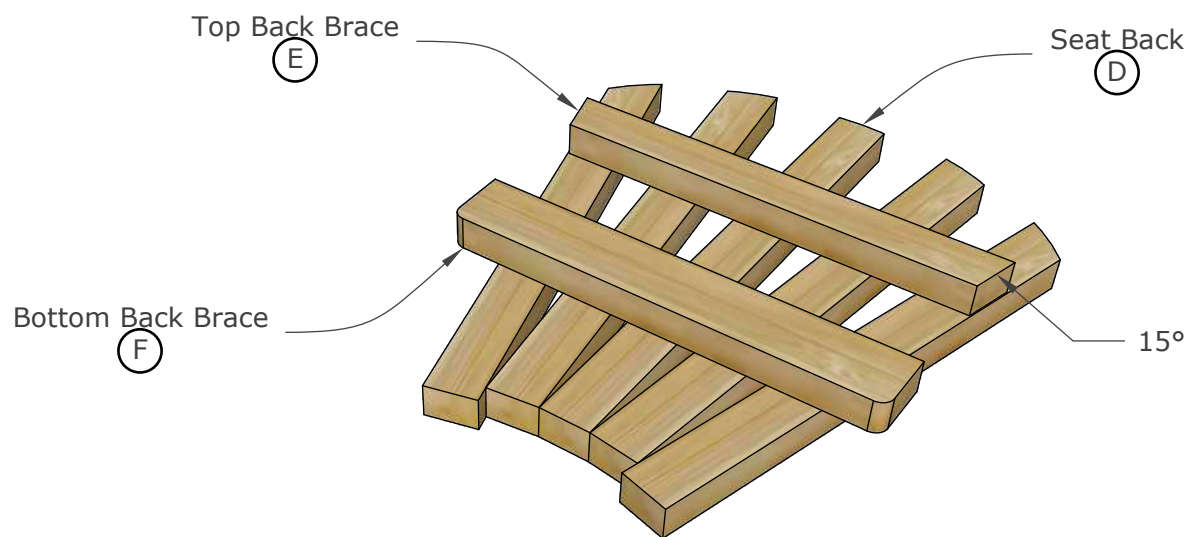
## 4 Assemble Seat Back:

Install top back brace  $3/4" \times 6 3/4"$  tip to tip (1) both edges are cut at  $15^\circ$ .

Install Bottom back brace  $1" \times 6 1/2"$  tip to top (1) Round bottom corners with a sander if desired.

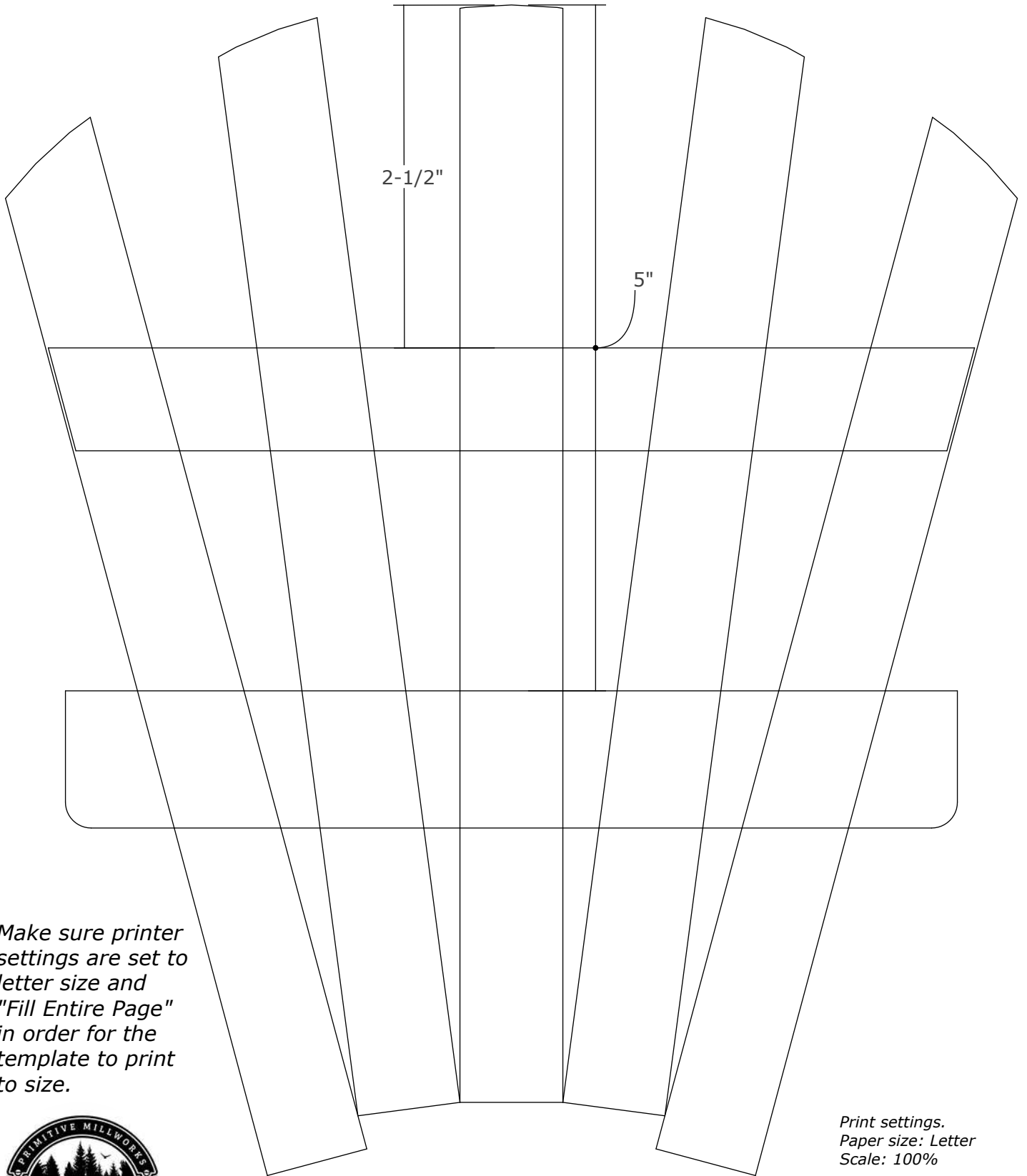
With parts face down place the bottom of the parts against a flat edge. While keeping the bottom together and the corner and the center board in place fan the outer back boards (see template)

With parts fanned leave the two outer boards in place and move the middle boards up  $1/4"$  and the center board  $1/2"$



<https://www.youtube.com/c/MatthewPeechWoodworkingAndDIY>

4 **Assemble Seat Back (Template):**



*Make sure printer settings are set to letter size and "Fill Entire Page" in order for the template to print to size.*

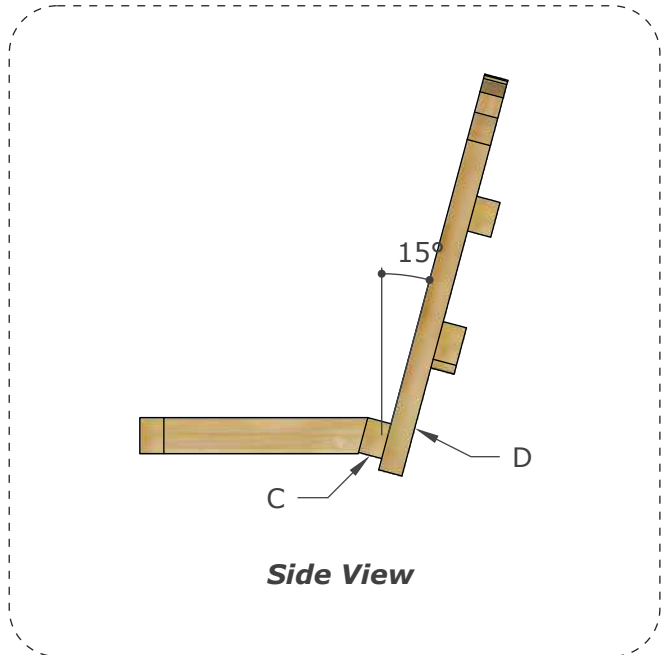
*Print settings.  
Paper size: Letter  
Scale: 100%*



<https://www.youtube.com/c/MatthewPeechWoodworkingAndDIY>

5 **Attach Chair Back To Base:**

*Attach from the back to the base board set at 15° angle.*



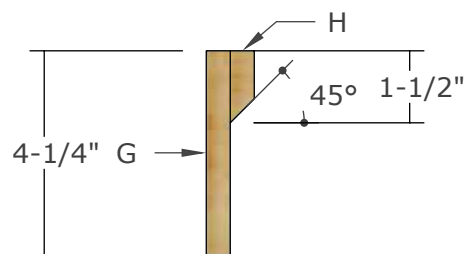
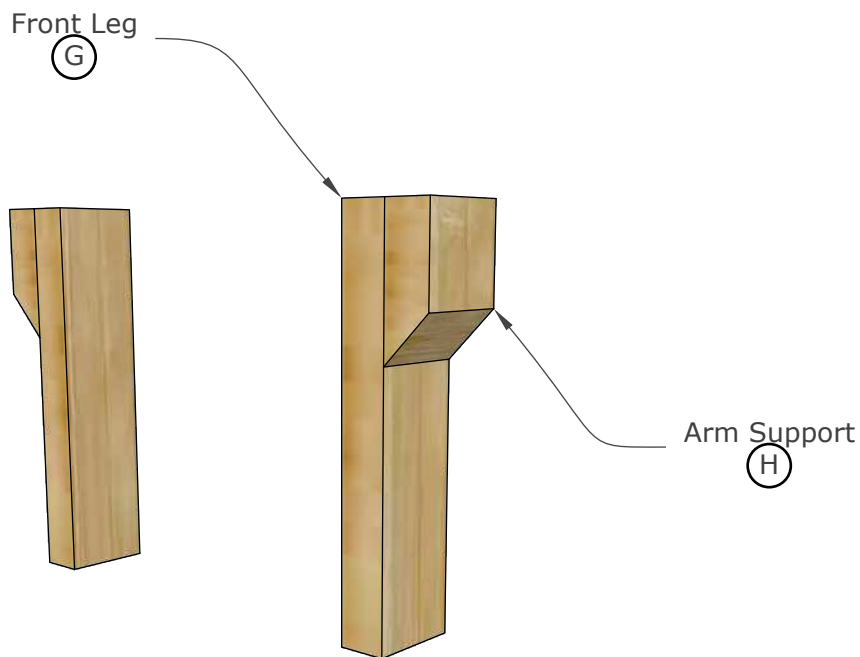
<https://www.youtube.com/c/MatthewPeechWoodworkingAndDIY>

6

## Assemble Front Legs & Arm Supports:

Attach arm supports to front legs. One end is cut at 45°.

*\*Always cut angles for short parts from longer stock.*



**Front View**

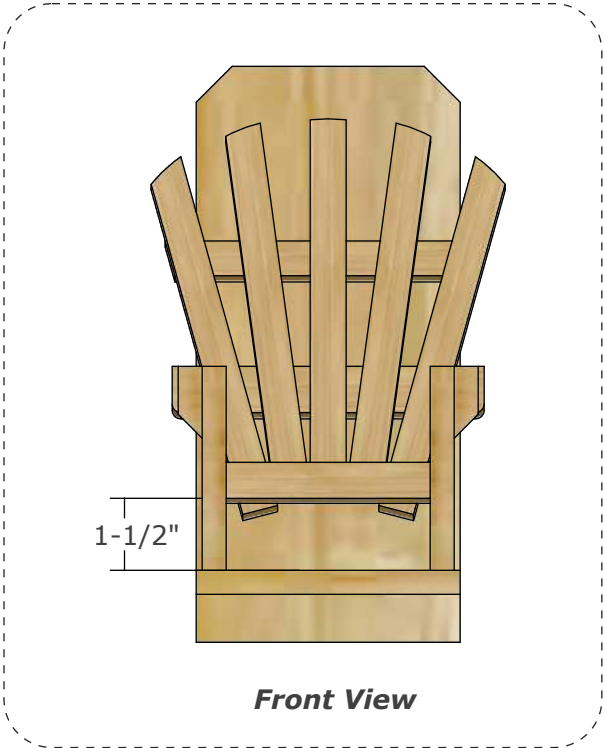
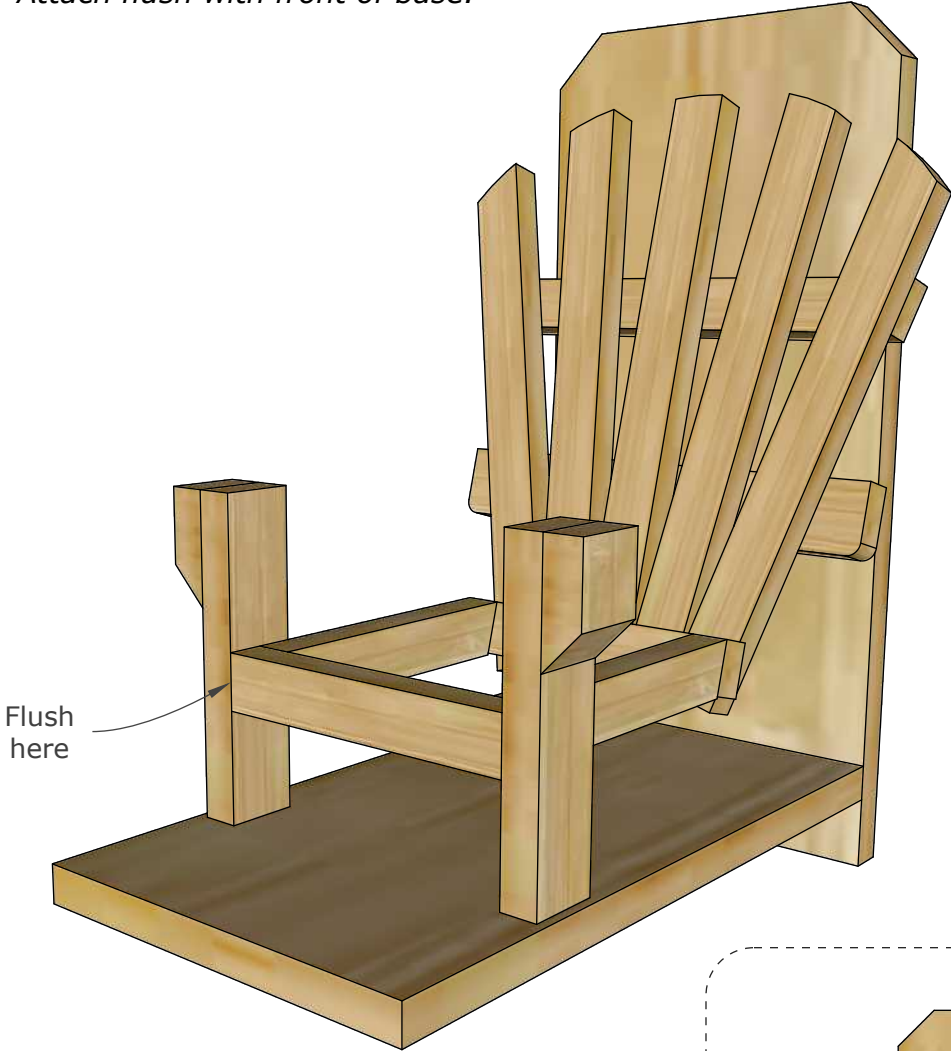


<https://www.youtube.com/c/MatthewPeechWoodworkingAndDIY>

7

### Attach Front Legs to Chair Base:

Attach flush with front of base.

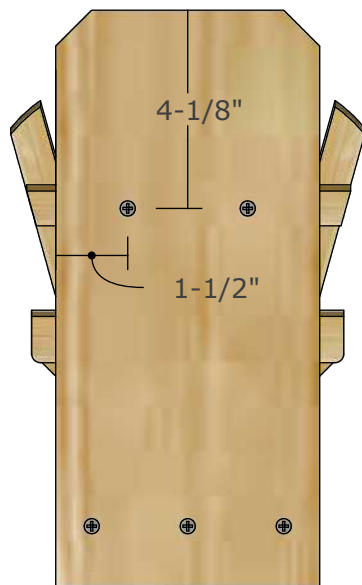


<https://www.youtube.com/c/MatthewPeechWoodworkingAndDIY>

## 8 Attach chair to the stand.:

*Using a clamp helps keep the chair in place as you install screws from back.*

*Center the chair on the stand. From the back install two 1 1/4" screws into the top support bracket 1 1/2" from each edge.*



**Back View**

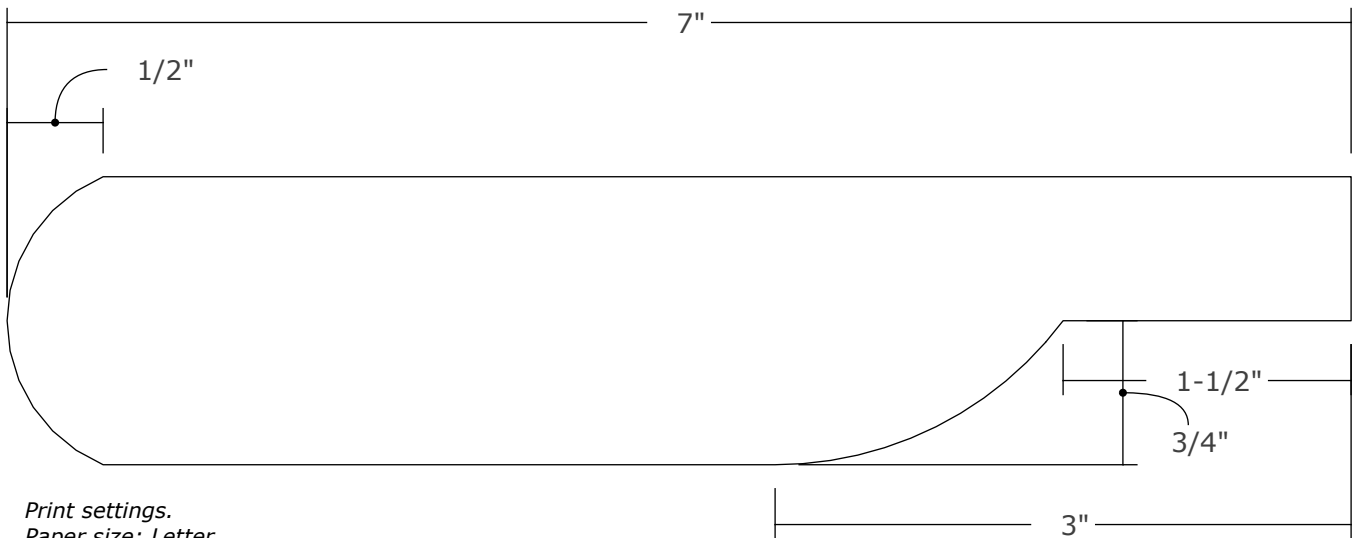
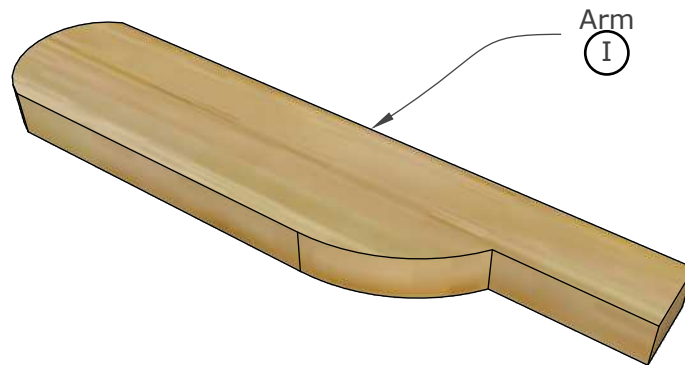


<https://www.youtube.com/c/MatthewPeechWoodworkingAndDIY>

## 9 Trace and Cut Out Arms:

Trace and cut out arms using a jigsaw.

See template. Make sure printer settings are set to letter size and "Fill Entire Page" in order for the template to print to size.



Print settings.  
Paper size: Letter  
Scale: 100%

**Full Size Arm Template**

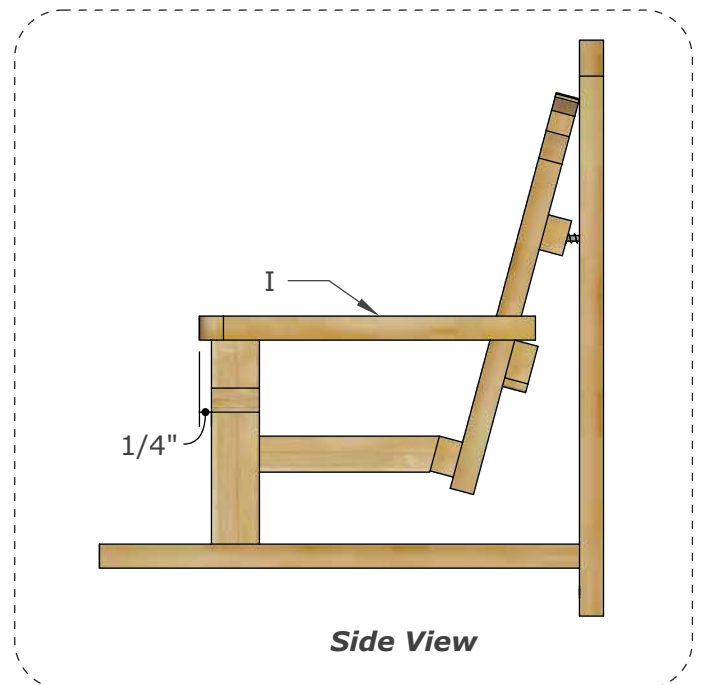


<https://www.youtube.com/c/MatthewPeechWoodworkingAndDIY>

10

## Install Arms:

*Center arms on legs and leave 1/4" overhang. Nail into place. Also glue and nail back of arm into chair back.*

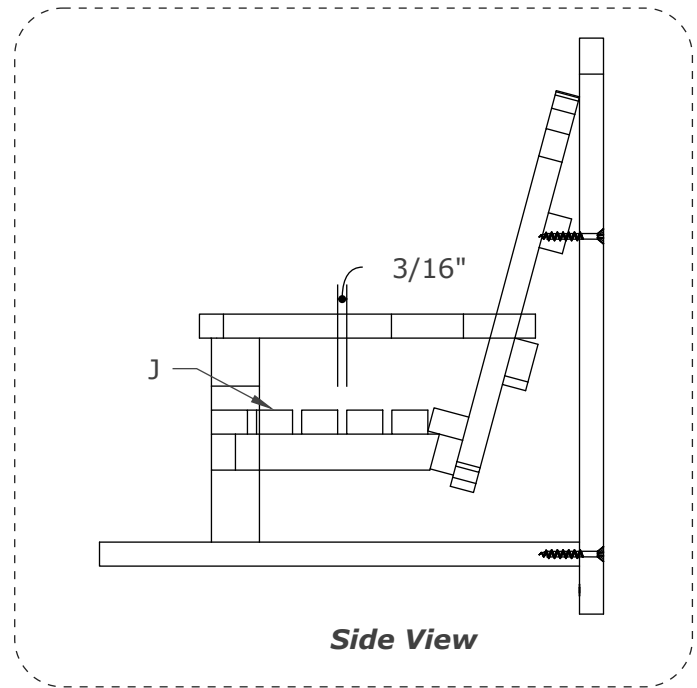
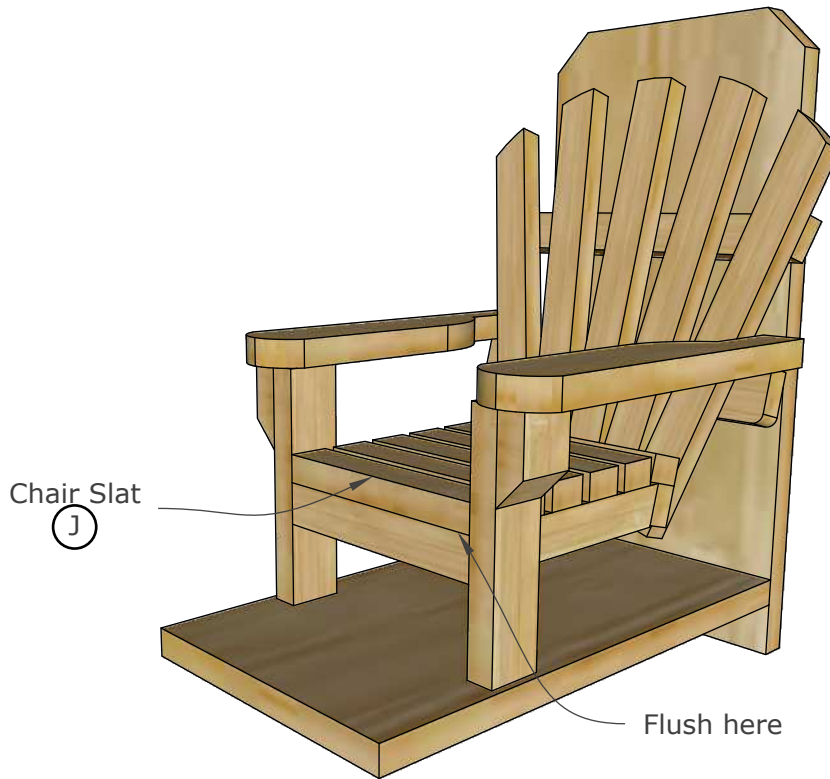


<https://www.youtube.com/c/MatthewPeechWoodworkingAndDIY>

11

## Install Chair Slats:

*Install chair slats to base. Front slat flush with front base.*

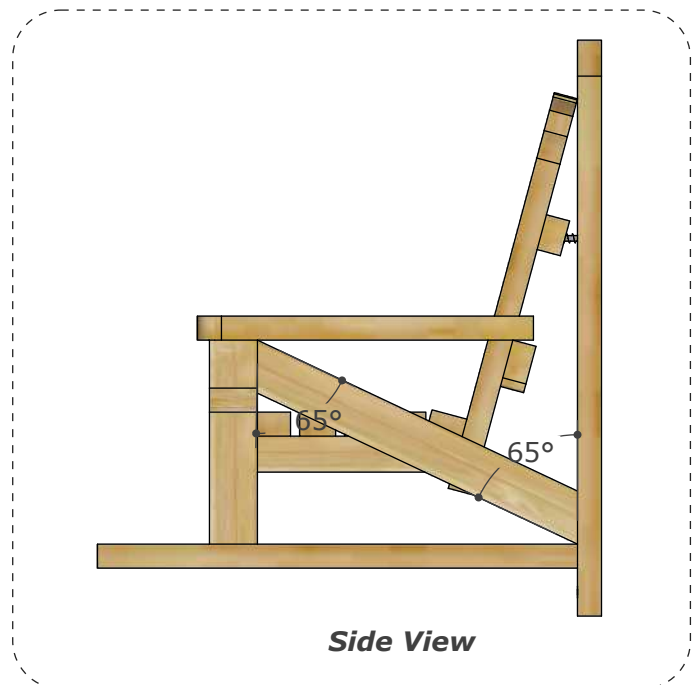


<https://www.youtube.com/c/MatthewPeechWoodworkingAndDIY>

12

## Install Back Legs:

*Cut 25° angle on both ends. Glue both ends and nail to side seat and from behind.*



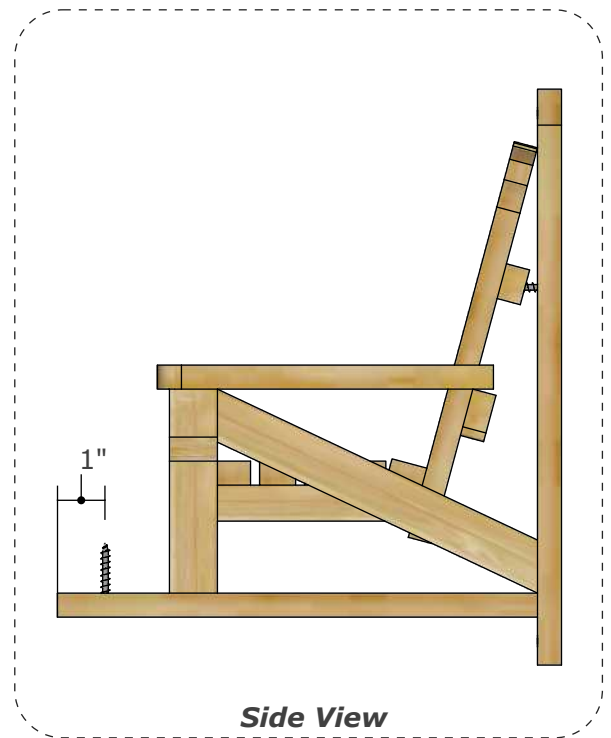
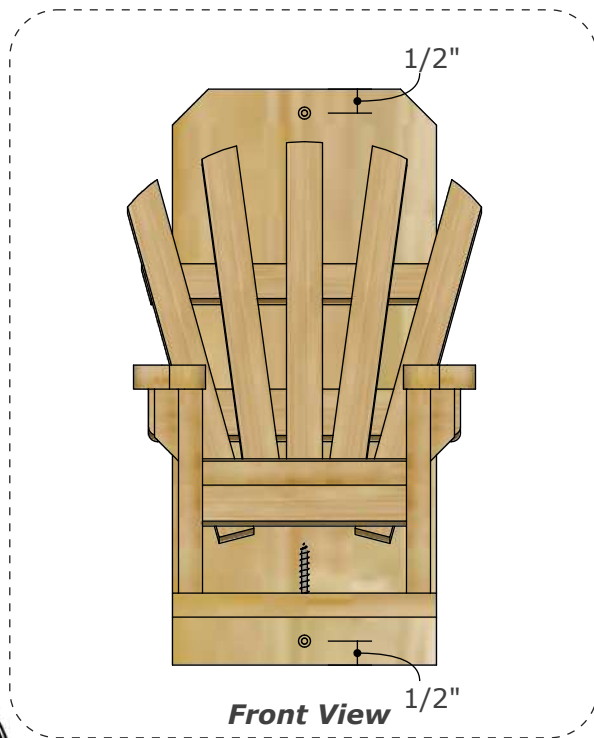
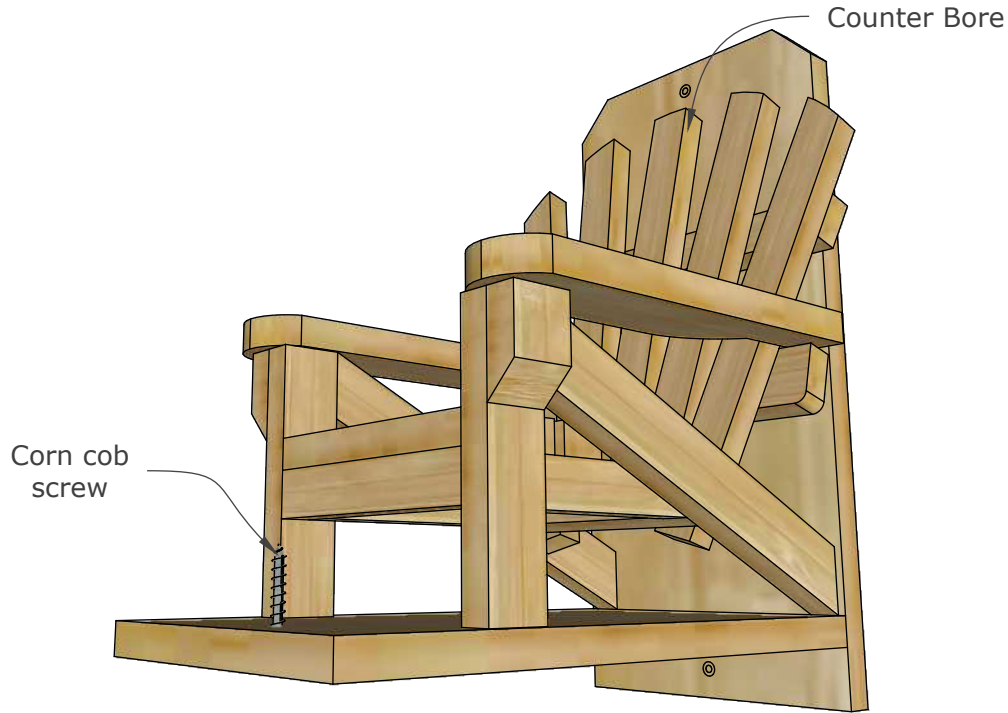
<https://www.youtube.com/c/MatthewPeechWoodworkingAndDIY>

13

## Counter Bore and Corn Cob Screw:

*Pre-drill and counter bore the top and bottom of the back stand.*

*Install screw for corn cob if desired. Screw is centered and 1" from front edge.*



<https://www.youtube.com/c/MatthewPeechWoodworkingAndDIY>